

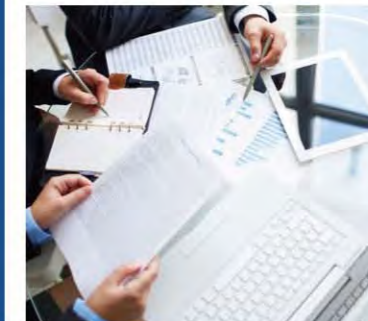
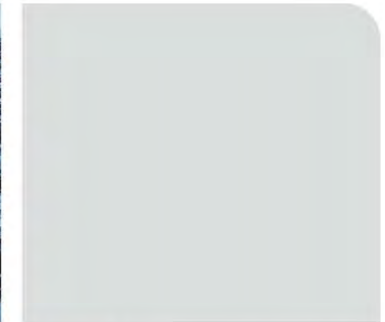


*PERFECT
FLUID HANDLING SOLUTION
STARTS HERE*

KORAX

AIR OPERATED DOUBLE DIAPHRAGM PUMP

www.koraxpumps.com





Company Profile

Since 1995 our company had been one of the most excellent supplier of air-operated double-diaphragm pumps for domestic & abroad clients. We are deeply committed to the pursuit of excellence, customer satisfaction, research & development and market knowledge. As a premiere organization, We have the infrastructure, knowledge base, and intellectual capital to exceed customer's expectations worldwide.

Our intense efforts to develop new technology and listen to ever changing market dynamics gives us the ability to solve your tough pumping applications today. Our knowledge base combined with new technology will give you the confidence when selecting a trustworthy solution for your process.

Contents

KORAX Air Valve Design	01
KORAX Pump Advantages	02
KORAX Pump Designation	03
KORAX KX06	04
KORAX KX10	05
KORAX KX15 Plastic Pump	06
KORAX KX15 Metal Pump	07
KORAX KX25 Metal Pump	08
KORAX KX25 Plastic Pump	09
KORAX KX40 Metal Pump	10
KORAX KX40 Plastic Pump	11
KORAX KX50 Metal Pump	12
KORAX KX50 Plastic Pump	13
KORAX KX80 Metal Pump	14
KORAX KX80 Plastic Pump	15
Chemical Guide	16



EXCELLENT AIR VALVE OF KORAX

The KORAX series pneumatic diaphragm pump is provided with the simple and highly reliable air reversing valve that makes the full series of diaphragm pumps realize the maximum reliability under various service conditions.

The reversing valve is the three-way pilot valve that can ensure no sticky in a real sense. All parts can be replaced without the need of opening the liquid cavity. The aluminum parts have been subjected to anodic oxidation treatment and coated with epoxy coatings to resist corrosion caused by dirty air.

- it can be used in case of bad air supply. The slide made of Derlin in the reversing valve is solid and durable, and not easy to be damaged.
- Smooth air channel. The air channels of pumps of 1/2"~3" have no obstruction and it is ensured that the reversing is flexible.
- it is the reversing valve that can be totally subjected to external maintenance.
- Compared with other diaphragm pumps, the moving parts are very few.
- The reversing valve does not need lubrication.
- The pilot reversing valve has very high mechanical life. The day-after-day operation can be ensured.
- One kind of reversing valve can be suitable for pumps of various specifications.



KORAX PUMP ADVANTAGES

- A Easy Maintenance**
 - Low internal volume reduces waste and makes clean-up easy
 - Stainless steel bolts resist corrosion and provide positive positioning for easy reassembly
- B Unique, Patented Air Valves**
 - Three-way Pilot Valve for non-sticking operation. All parts are replaceable without opening wet body parts. Aluminum parts are anodized or epoxy-coated to resist corrosion usually caused by dirty air
 - NO air-line lubrication required.
- C Precision-Fitted Parts**
 - Long-wearing End-Bearings assure positive rod alignment and are easily replaced.
- D Protective Exhaust Port**
 - Common port for all exhaust prevents vapors in room from attacking air motor seals.
 - Easily submerges for sump or disposal operations.
- E Rugged Exterior Construction**
 - Construction resists corrosion, prevents leakage and ensures clean fluid changes.
 - Anodizing on aluminum wetted parts and e-coat epoxy air section resists tough environments.
- F Fluid Compatibility**
 - Housings available in aluminum, stainless steel, polypropylene, groundable acetal or Kynar.
- G Positive Seal Design**
 - Diaphragm firmly locked in place.
 - Formed bead acts as positive fluid seal.



- H Heavy-Duty Washers**
 - Positive grip washers virtually eliminate leakage and pull-out, preventing costly down time.
- I Easy Alignment**
 - Bolted, self-aligning air and fluid sections,
- J Fluid Control Choice**
 - Wide range of seat and ball options ensure fluid compatibility and positive seal for maximum efficiency, long life and better suction lift.
- K Long-Lasting Rod Design**
 - KORAX series stainless steel rod designed for long life and corrosion resistance—even in wet air



PUMP DESIGNATION

Brand	Center body material	Diaphragm material	Valve ball material	Valve seat material
KX=KORAX	AL= Aluminium	TF= Teflon	TF= Teflon	TF= Teflon
Pump size	Wetted body material	ST= Santoprene	ST= Santoprene	ST= Santoprene
06= 1/4 inch	PP= Polypropylene	EP= EPDM	EP= EPDM	EP= EPDM
10= 3/8 inch	PM= POM	HY= Hytre	HY= Hytre	HY= Hytre
15= 1/2 inch	KK= PVDF	BN= Buna-N	BN= Buna-N	BN= Buna-N
20= 3/4 inch	AL= Aluminum	GE= Geolast	GE= Geolast	GE= Geolast
25= 1 inch	SS= SS304	VT= Viton	VT= Viton	VT= Viton
40= 1-1/2 inch	LL= SS316	NE= Neoprene	SS= SS304	PP= Polypropylene
50= 2 inch	DD= Ductile Iron		LL= SS316	SS= SS304
80= 3 inch				LL= SS316

MATERIAL TEMPERATURE LIMITATION

Viton	-40°F(-40°C)—350°F(176.6°C)
PTFE, Teflon	40°F(4.4°C)—350°F(176.6°C)
Santoprene	-20°F(-28.9°C)—220°F(104.4°C)
Hytre	-20°F(-28.9°C)—220°F(104.4°C)
UHMWPE, Polyethylene	0°F(-17.7°C)—140°F(60°C)
Leather	0°F(-17.7°C)—200°F(93.3°C)
Neoprene	0°F(-17.7°C)—212°F(100°C)
Buna—N	-40°F(40°C)—250°F(121.6°C)
Polyurethane	-40°F(-40°C)—200°F(93.3°C)
Fluid--cavity :	
Acetal & PP	40°F(4.4°C)—150°F(65.5°C)



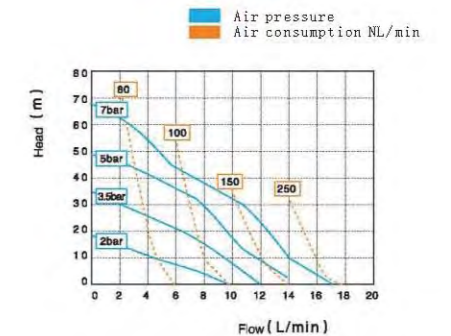
KX06 Plastic Pump



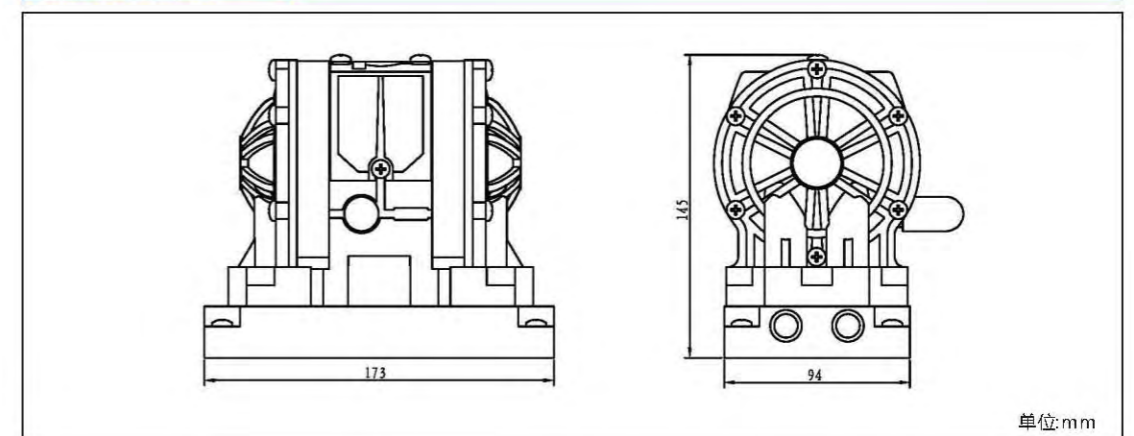
Various fluid can be dealt with
 Spring style nonreturn valve that is of strong selfsuction power is easy to install .
 Teflon diaphragm is more durable .
 Easy to control in long distance, able to connect with solenoid valve

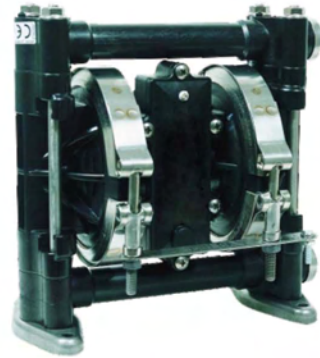
PARAMETERS

Max. Working pressure	100psi(0.7Mpa, 7bar)
Max. Flow rate	17lpm
Max. Reciprocating speed	250cpm
Max. suction height(dry sucking)	3m
Max. Permitted grain	0.5mm
Max. air consumption	9.0scfm(0.252m3/min)
Air inlet size	1/4inch
Air outlet size	1/4inch
Fluid suction size	1/4inch
Fluid discharge size	1/4inch
Net Weight	PP Pump 1.2kg



DIMENSIONS





KX10

Metal Pump

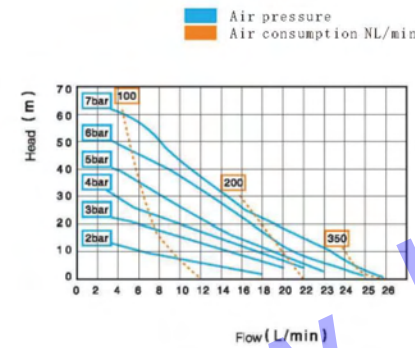
Flow rate up to 26lpm

Air valve and valve seat is easily repaired

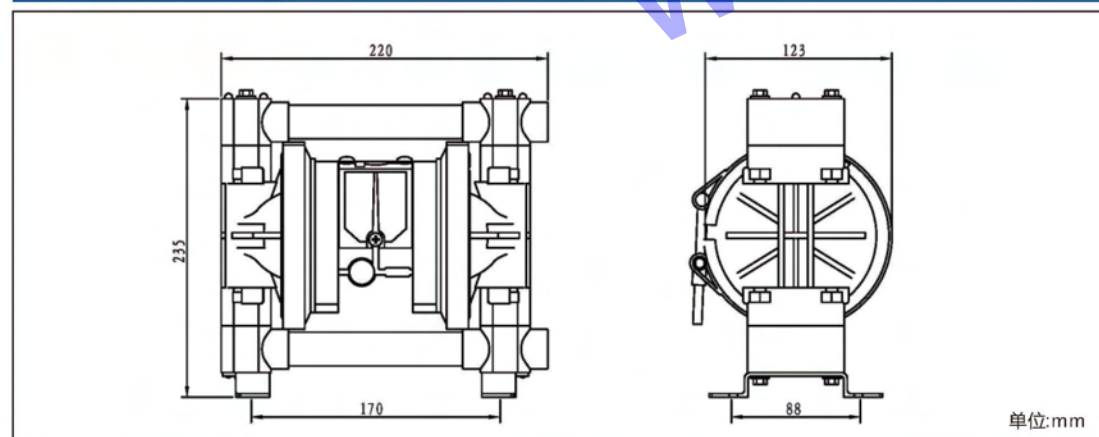
Low noise when operating

PARAMETERS

Max. Working pressure	100psi(0.7Mpa, 7bar)
Max. Flow rate	26lpm
Max. Reciprocating speed	330cpm
Max. suction height(dry sucking)	3m
Max. Permitted grain	1/16in.(1.6mm)
Max. Air consumption	6.0scfm(0.17m ³ /min)
Air inlet size	1/4inch
Air outlet size	1/4inch
Fluid suction size	3/8inch
Fluid discharge size	3/8inch
Net Weight	Aluminium Pump 2.8kg



DIMENSIONS



KX15/20

Plastic Pump

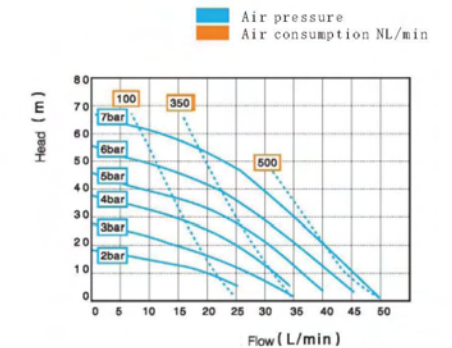
Many ports that design is easy to install

Easy to control in long distance, able to connect with solenoid valve

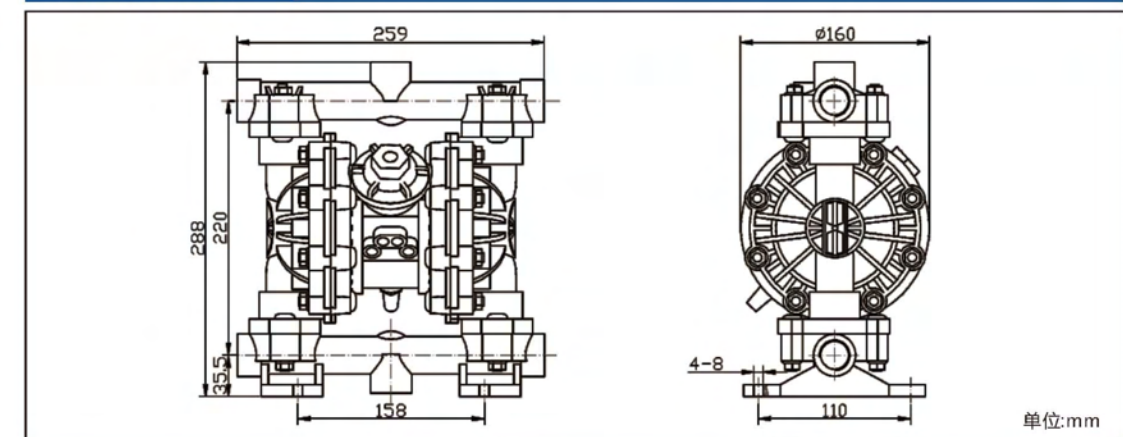
Quick to start, strong selfsuction power

PARAMETERS

Max. Working pressure	100psi(0.7Mpa, 7bar)
Max. Flow rate	50lpm
Max. Reciprocating speed	400cpm
Max. Suction height(dry sucking)	4m
Max. Permitted grain	3/32in.(2.5mm)
Max. air consumption	28scfm(0.672m ³ /min)
Air inlet size	1/4inch
Air outlet size	3/8inch
Fluid suction size	1/2inch & 3/4inch
Fluid discharge size	1/2inch & 3/4inch
Net Weight	PVDF Pump 4kg PP Pump 3kg



DIMENSIONS





KX15/20 Metal Pump

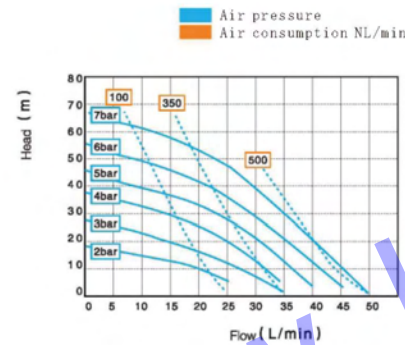
Many ports that design is easy to install

Easy to control in long distance, able to connect with solenoid valve

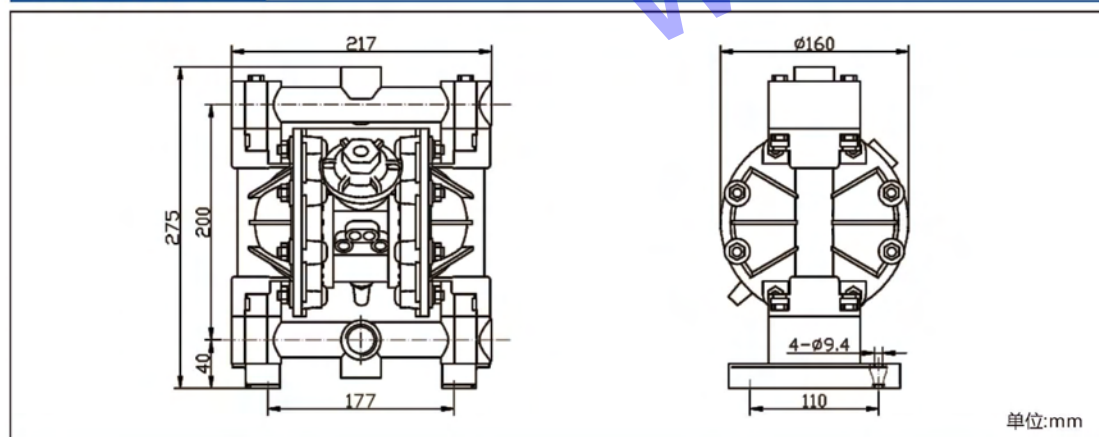
Quick to start, strong selfsuction power

PARAMETERS

Max. Working pressure	100psi(0.7Mpa, 7bar)
Max. Flow rate	50lpm
Max reciprocating speed	400cpm
Max. suction height(dry sucking)	4m
Max. Permitted grain	3/32in.(2.5mm)
Max. Air consumption	28scfm(0.672m3/min)
Air inlet size	1/4inch
Air outlet size	3/8inch
Fluid suction size	1/2inch & 3/4inch
Fluid discharge size	1/2inch & 3/4inch
Net Weight	Aluminium Pump 4.6kg Stainless Steel Pump 9kg



DIMENSIONS



单位:mm



KX25 Plastic Pump

Small size & flow rate up to 150lpm

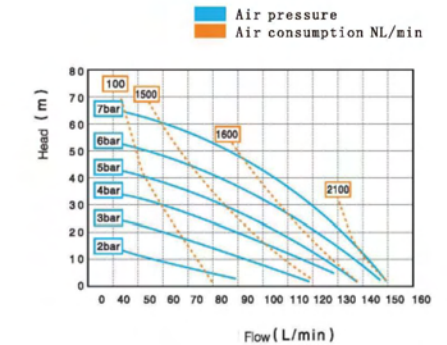
Fluid pressure up to 7bar

Central body, covered by anticorrosion coat

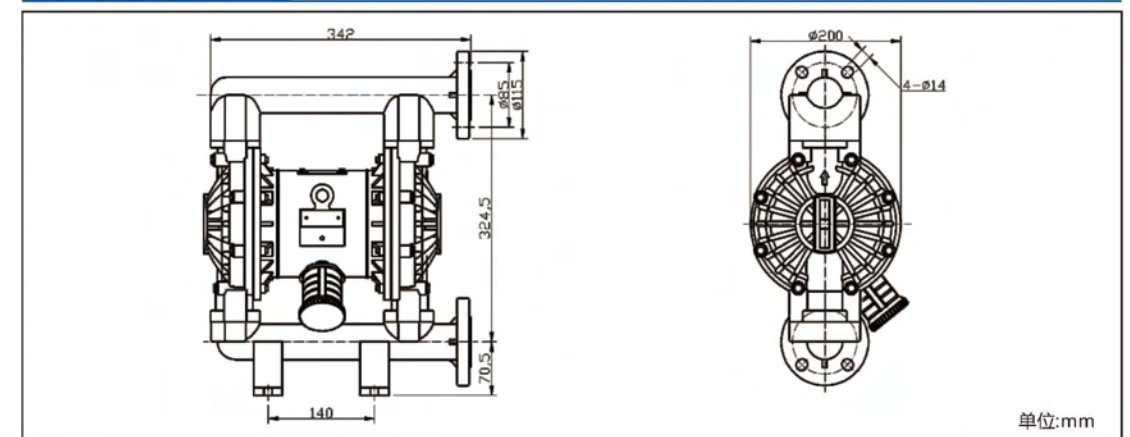
Reliable air reversing valve

PARAMETERS

Max. Working pressure	100psi(0.7Mpa, 7bar)
Max. Flow rate	150lpm
Max. Reciprocating speed	276cpm
Max. Suction height(dry sucking)	5m
Max. Permitted grain	4mm
Max. Air consumption	60scfm(1.7m3/min)
Air inlet size	1/2inch
Air outlet size	1/2inch
Fluid suction size	1 inch
Fluid discharge size	1 inch
Net Weight	PP Pump 9kg PVDF Pump 11.5kg



DIMENSIONS



单位:mm

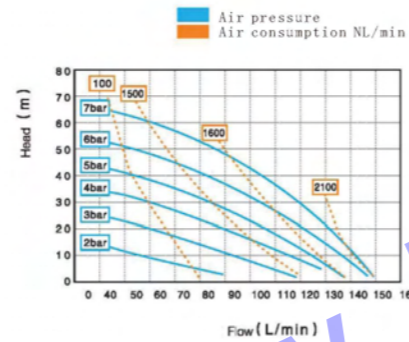


KX25 Metal Pump

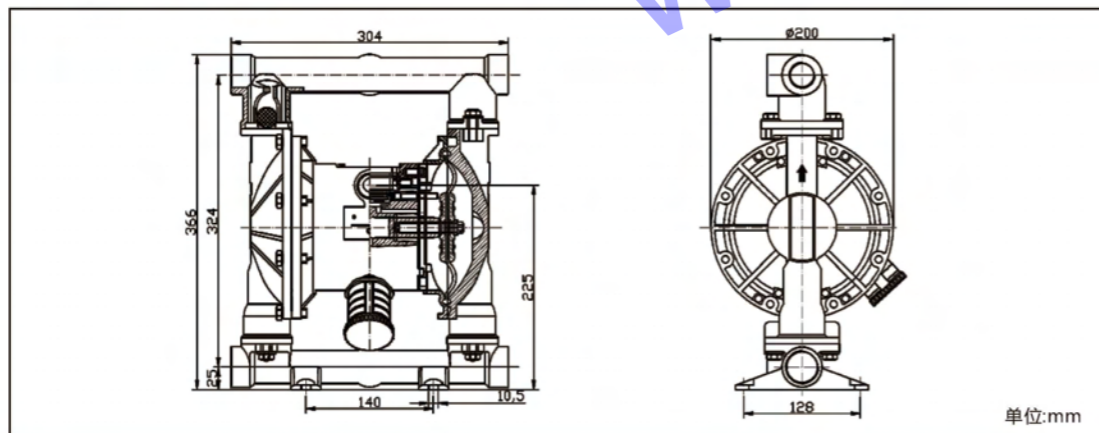
Small size & flow rate up to 150lpm
Fluid pressure up to 7bar
Central body, covered by anticorrosion coat
Reliable air reversing valve

PARAMETERS

Max. Working pressure	100psi(0.7Mpa, 7bar)
Max. Flow rate	150lpm
Max. Reciprocating speed	276cpm
Max. Suction height(dry sucking)	5m
Max. Permitted grain	4mm
Max. Air consumption	60scfm(1.7m3/min)
Air inlet size	1/2inch
Air outlet size	1/2inch
Fluid suction size	1 inch
Fluid discharge size	1 inch
Net Weight	Aluminium Pump 10kg Stainless steel pump 17kg



DIMENSIONS

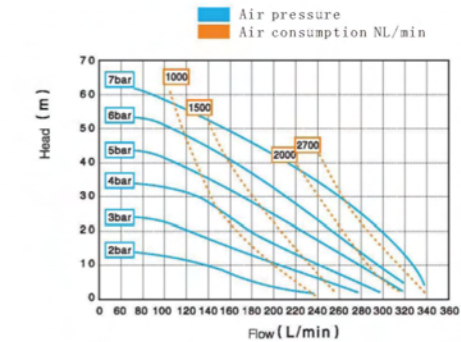


KX40 Plastic Pump

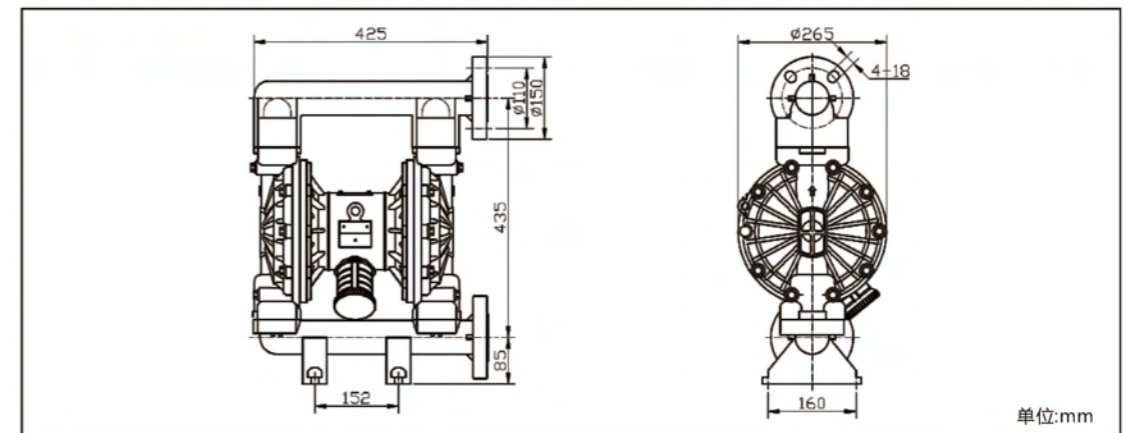
Small size & flow rate up to 340lpm
Fluid pressure up to 7bar
Central body, covered by anticorrosion coat
Reliable air reversing valve

PARAMETERS

Max. Working pressure	100psi(0.7Mpa, 7bar)
Max. Flow rate	340lpm
Max. Reciprocating speed	200cpm
Max. Suction height(dry sucking)	5m
Max. Permitted grain	5mm
Max. Air consumption	125scfm(3.5m3/min)
Air inlet size	1/2inch
Air outlet size	1/2inch
Fluid suction size	1-1/2 inch
Fluid discharge size	1-1/2 inch
Net Weight	PP Pump 16kg PVDF Pump 20.2kg



DIMENSIONS





KX40 Metal pump

Small size & flow rate up to 340 lpm

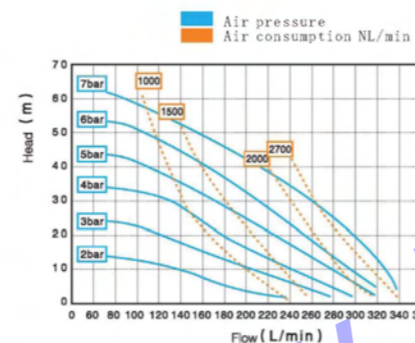
Fluid pressure up to 7bar

Central body, covered by anticorrosion coat

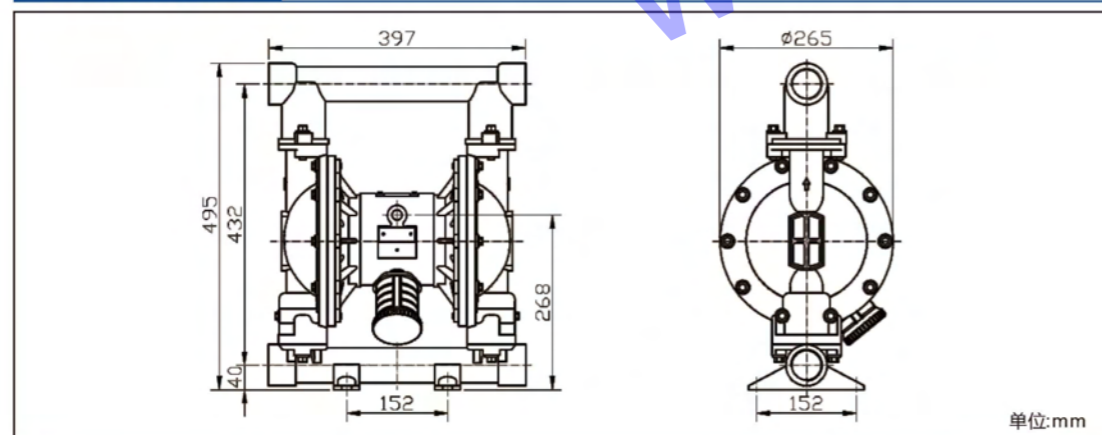
Reliable air reversing valve

PARAMETERS

Max. Working pressure	100psi(0.7Mpa, 7bar)
Max. Flow rate	340lpm
Max. Reciprocating speed	200cpm
Max. suction height(dry sucking)	5m
Max. Permitted grain	5mm
Max. Air consumption	125scfm(3.5m ³ /min)
Air inlet size	1/2inch
Air outlet size	1/2inch
Fluid suction size	1-1/2inch
Fluid discharge size	1-1/2inch
Net Weight	Aluminium Pump 18kg Stainless steel pump 29kg



DIMENSIONS



KX50 Plastic Pump

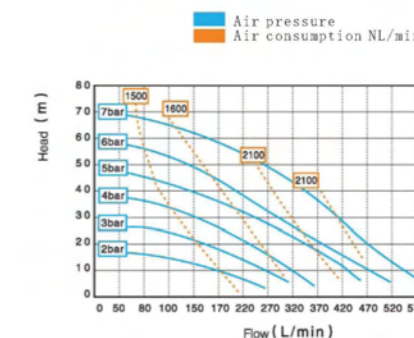
Max. Fluid pressure up to 120psi

Guided air valve can be repaired during working, no need to open the central body.

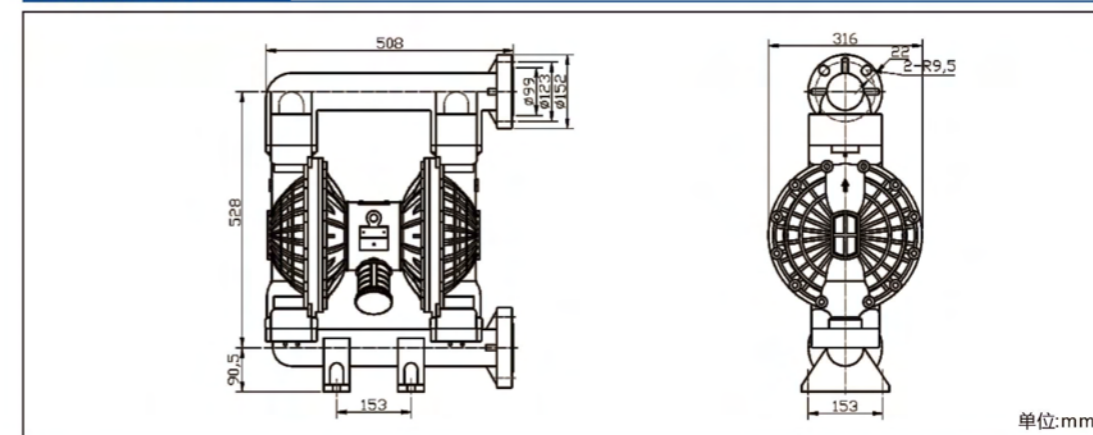
The coat can protect from terrible working environment

PARAMETERS

Max. Working pressure	100psi(0.7Mpa, 7bar)
Max. Flow rate	570lpm
Max. Reciprocating speed	145cpm
Max. Suction height(dry sucking)	5m
Max. Permitted grain	6mm
Max. Air consumption	175scfm(4.9m ³ /min)
Air inlet size	1/2inch
Air outlet size	1/2inch
Fluid suction size	2inch
Fluid discharge size	2inch
Net Weight	PVDF Pump 30kg PP Pump 26kg



DIMENSIONS





KX50 Metal Pump

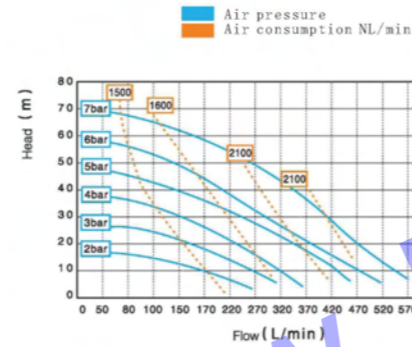
Fluid pressure up to 120psi

Guided air valve can be repaired during working, no need to open the central body.

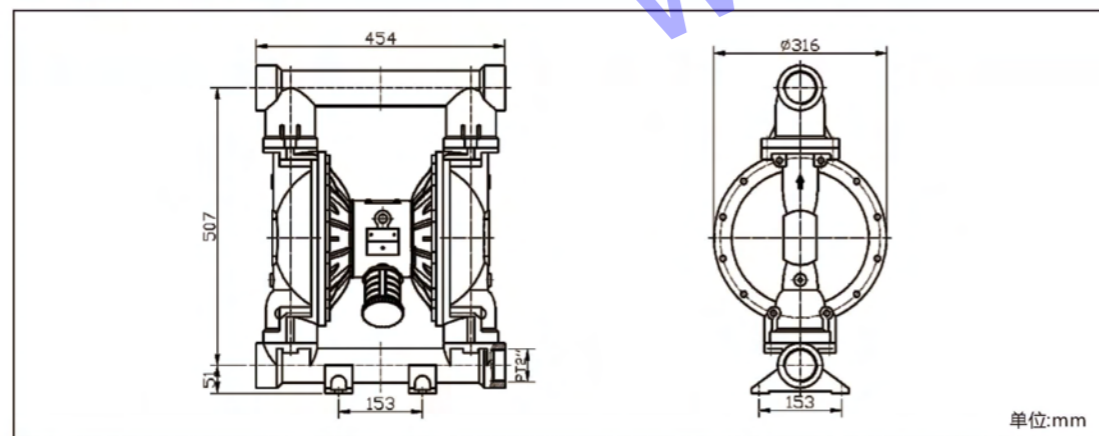
The coat can protect from terrible working environment

PARAMETERS

Max. Working pressure	100psi(0.7Mpa, 7bar)
Max. Flow rate	570lpm
Max. Reciprocating speed	145cpm
Max. Suction height(dry sucking)	5m
Max. Permitted grain	6mm
Max. Air consumption	175scfm(4.9m3/min)
Air inlet size	1/2inch
Air outlet size	1/2inch
Fluid suction size	2 inch
Fluid discharge size	2 inch
Net Weight	Aluminium Pump 26kg Stainless steel pump 45kg



DIMENSIONS



KX80 Plastic Pump

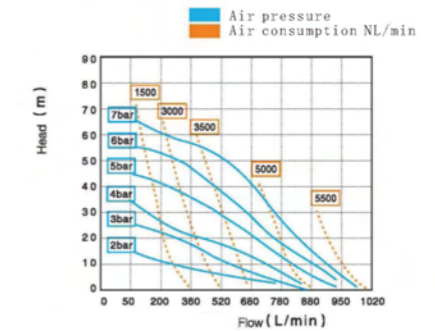
Large flow rate up to 1000Lpm

Guided air valve can be repaired during working, no need to open the central body.

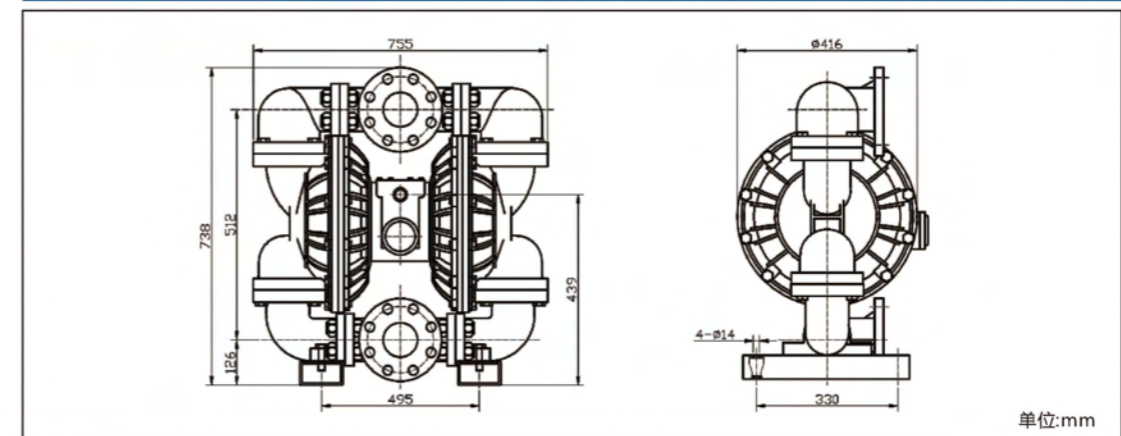
The coat can protect from terrible working environment.

PARAMETERS

Max. Working pressure	100psi(0.7Mpa, 7bar)
Max. Flow rate	1000lpm
Max. Reciprocating speed	135cpm
Max. Suction height(dry sucking)	5m
Max. Permitted grain	10mm
Max. Air consumption	325scfm(9.1m3/min)
Air inlet size	3/4inch
Air outlet size	3/4inch
Fluid suction size	3 inch
Fluid discharge size	3 inch
Net Weight	PP Pump 65kg



DIMENSIONS





KX80 Metal pump

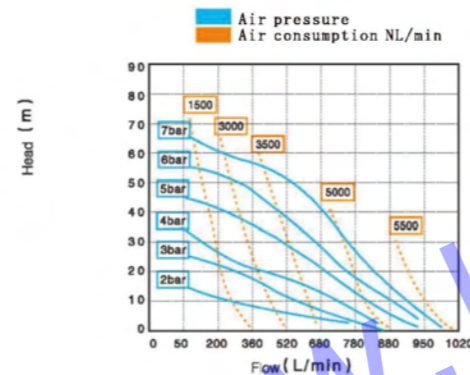
Large flow rate up to 1000lpm

Guided air valve can be repaired during working, no need to open the central body.

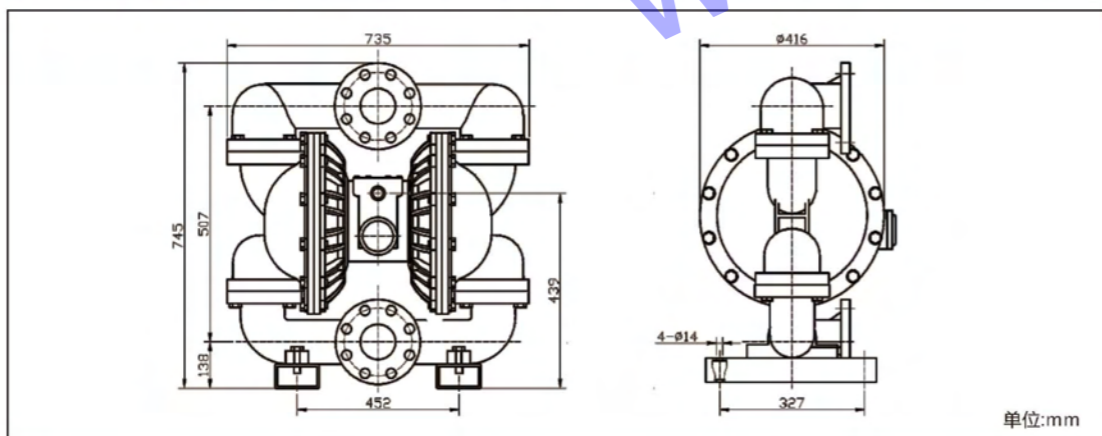
The coat can protect from terrible working environment

PARAMETERS

Max. Working pressure	100psi(0.7Mpa, 7bar)
Max. Flow rate	1000lpm
Max. Reciprocating speed	135cpm
Max. Suction height(dry sucking)	5m
Max. Permitted grain	10mm
Max. Air consumption	325scfm(9.1m3/min)
Air inlet size	3/4inch
Air outlet size	3/4inch
Fluid suction size	3 inch
Fluid discharge size	3 inch
Net Weight	Aluminium Pump 75kg Stainless steel pump 105kg



DIMENSIONS



CHEMICAL RESISTANCE TABLE

Corrosive Fluid	5	10	15	20	25	30	35	40	45	50	55	60	65	70	75	80	85	90	95	100	
Acetic Acid(Ambient)	PP	PP	PP	PP	PP	PP	PP	PP	PP	PP	PP	PP	PP	PP	PP	PP	PP	PP	PP	PP	PP
Acetic Acid(Hot)	SST	SST	SST	SST	SST	SST	SST	SST	SST	SST	SST	SST	SST	SST	SST	SST	SST	SST	SST	SST	SST
Acetic Acid(Boiling)	SST	SST	SST	SST	SST	SST	SST	SST	SST	SST	SST	SST	SST	SST	SST	SST	SST	SST	SST	SST	SST
Chromic Acids(Conc)	PP	PP	PP	PP	PP	PP	PP	PP	PP	PP	PP	PP	PP	PP	PP	PP	PP	PP	PP	PP	PP
Nitric Acid	SST	SST	SST	SST	SST	SST	SST	SST	SST	SST	SST	SST	SST	SST	SST	SST	SST	SST	SST	SST	SST
Phosphoric Acid(Ambient)	PP	PP	PP	PP	PP	PP	PP	PP	PP	PP	PVDF	PVDF	PVDF	PVDF	PVDF	PVDF	PVDF	PVDF	PVDF	PVDF	PVDF
Phosphoric Acid(Hot)	PP	PP	PP	PP	PP	PP	PP	PP	PP	PP	PVDF	PVDF	PVDF	PVDF	PVDF	PVDF	PVDF	PVDF	PVDF	PVDF	PVDF
Phosphoric Acid(Boiling)	PP	PP	PP	PP	PP	PP	PP	PP	PP	PP	PVDF	PVDF	PVDF	PVDF	PVDF	PVDF	PVDF	PVDF	PVDF	PVDF	PVDF
Potassium Hydroxide(<60°C/140 °F) (<60°C)	PP	PP	PP	PP	PP	PP	PP	PP	PP	PP	PP	PP	PP	PP	PP	PP	PP	PP	PP	PP	PP
Potassium Hydroxide(<60°C/185 °F) (<60°C)	PP	PP	PP	PP	PP	PP	PP	PP	PP	PP	PP	PP	PP	PP	PP	PP	PP	PP	PP	PP	PP
Sodium Hypochloride	PVDF	PVDF	PVDF	PVDF	PVDF	PVDF	PVDF	PVDF	PVDF	PVDF	PVDF	PVDF	PVDF	PVDF	PVDF	PVDF	PVDF	PVDF	PVDF	PVDF	PVDF
Magnesium Hydroxide	PP	PP	PP	PP	PP	PP	PP	PP	PP	PP	PP	PP	PP	PP	PP	PP	PP	PP	PP	PP	PP
Muriatic Acid	PVDF	PVDF	PVDF	PVDF	PVDF	PVDF	PVDF	PVDF	PVDF	PVDF	PVDF	PVDF	PVDF	PVDF	PVDF	PVDF	PVDF	PVDF	PVDF	PVDF	PVDF
Sodium Hydroxide	PP	PP	PP	PP	PP	PP	PP	PP	PP	PP	PP	PP	PP	PP	PP	PP	PP	PP	PP	PP	PP
Hydrochloric Acid	PVDF	PVDF	PVDF	PVDF	PVDF	PVDF	PVDF	PVDF	PVDF	PVDF	PVDF	PVDF	PVDF	PVDF	PVDF	PVDF	PVDF	PVDF	PVDF	PVDF	PVDF
Hydrochloric Acid(Boiling)	PVDF	PVDF	PVDF	PVDF	PVDF	PVDF	PVDF	PVDF	PVDF	PVDF	PVDF	PVDF	PVDF	PVDF	PVDF	PVDF	PVDF	PVDF	PVDF	PVDF	PVDF
Hydrofluoric Acid(Ambient)	PP	PP	PP	PP	PP	PP	PP	PP	PP	PP	PVDF	PVDF	PVDF	PVDF	PVDF	PVDF	PVDF	PVDF	PVDF	PVDF	PVDF
Hydrofluoric Acid(Boiling)	PVDF	PVDF	PVDF	PVDF	PVDF	PVDF	PVDF	PVDF	PVDF	PVDF	PVDF	PVDF	PVDF	PVDF	PVDF	PVDF	PVDF	PVDF	PVDF	PVDF	PVDF
Hydrofluoric Acid(Conc)	PVDF	PVDF	PVDF	PVDF	PVDF	PVDF	PVDF	PVDF	PVDF	PVDF	PVDF	PVDF	PVDF	PVDF	PVDF	PVDF	PVDF	PVDF	PVDF	PVDF	PVDF
Sulfuric Acid(<51.6°C) /125T)(<51.6°C)	PP	PP	PP	PP	PP	PP	PP	PP	PP	PP	PP	PP	PP	PP	PP	PP	PP	PP	PP	PP	PP
Sulfuric Acid(51.6-79.4°C /125—175 °F) (>51.6°C <79.4°C)	PVDF	PVDF	PVDF	PVDF	PVDF	PVDF	PVDF	PVDF	PVDF	PVDF	PVDF	PVDF	PVDF	PVDF	PVDF	PVDF	PVDF	PVDF	PVDF	PVDF	PVDF
Sulfuric Acid(Boiling)	PVDF	PVDF	PVDF	PVDF	PVDF	PVDF	PVDF	PVDF	PVDF	PVDF	PVDF	PVDF	PVDF	PVDF	PVDF	PVDF	PVDF	PVDF	PVDF	PVDF	PVDF

PP SST PVDF